

Design R&D Euromobil and Roberto Gobbo

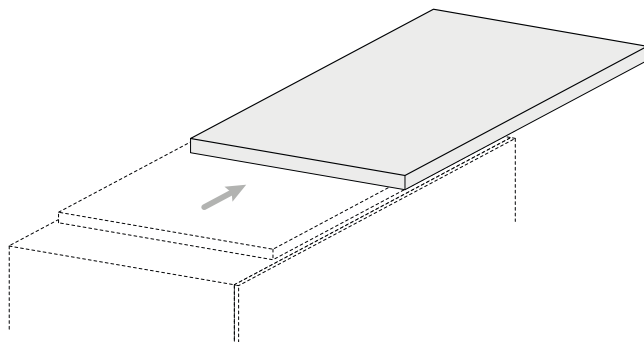
Project

Eat sliding top (thickness 7.5 cm) in Wood, equipped with an aluminum sliding mechanism with silenced stops for opening and closing.
Locking system both on opening and closing.

Available finishes

- a. HPL laminate
- b. Fenix and fenix NTA
- c. Rovere texture, castagno naturale, rovere e noce materia, rovere sabbato, thermotreated castagno and eucalipto
- d. Wood liscio

Examples of modularity



[Find the nearest Euromobil dealer](#) to configure the Eat system according to your needs.