

Design R&D Euromobil and Roberto Gobbo

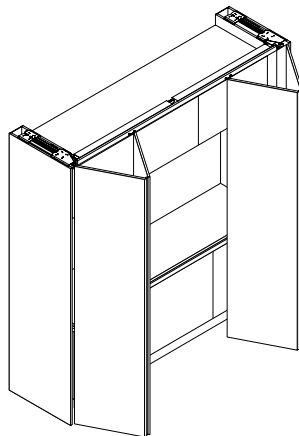
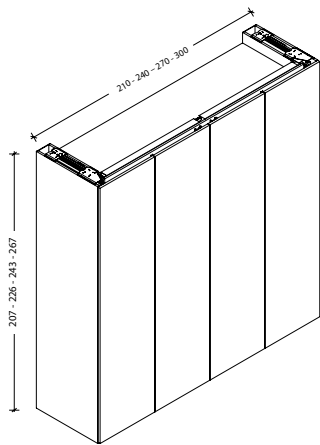
Project

Retractable folding door system with push-pull opening, for containing base units, wall units, shelves and back panels.
Can be accessorised with automatically turning on lights and power control via control unit locking system.
Configurable as a "freestanding" element or as an element integrated into one of the Euromobil Lain and Antis kitchen systems.

Available finishes

- a. TSS
- b. Tecnomilamina
- c. Ecolaccato
- d. Matt lacquer
- e. Super matt lacquer
- f. Glossy lacquer
- g. Fusion lacquer
- h. Satin Lacquer
- i. Fenix and Fenix NTA
- j. Rovere texture, Thermotreated eucalipto and castagno, Castagno naturale, Rovere and Noce materia, Rovere sabbato.
- k. Wood canetè

Examples of modularity



[Find the nearest Euromobil dealer](#) to configure the Cabinet Folding system according to your needs.

Design R&D Euromobil and Roberto Gobbo

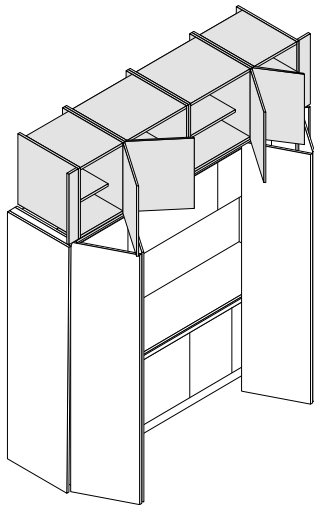
Project

Retractable folding door system with push-pull opening, for containing base units, wall units, shelves and back panels.
Can be accessorised with automatically turning on lights and power control via control unit locking system.
Available with new tall unit top elements.

Available finishes

- a. TSS
- b. Tecnolamina
- c. Ecolaccato
- d. Matt lacquer
- e. Super matt lacquer
- f. Glossy lacquer
- g. Fusion lacquer
- h. Satin Lacquer
- i. Fenix and Fenix NTA
- j. Rovere texture, Thermotreated eucalipto and castagno, Castagno naturale, Rovere and Noce materia, Rovere sabbaiato.
- k. Wood canetè

Examples of modularity



[Find the nearest Euromobil dealer](#) to configure the Cabinet Folding system according to your needs.